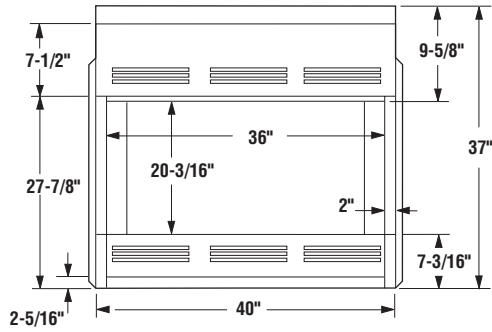
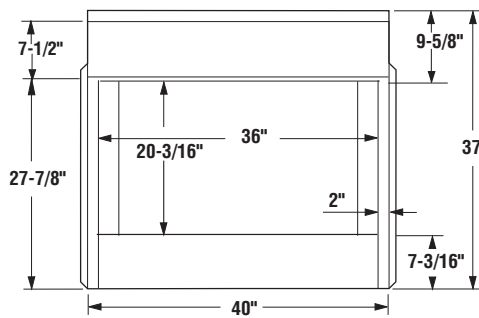


BC-36, BR-36

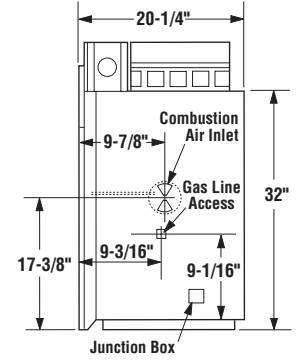
Appliance Specifications



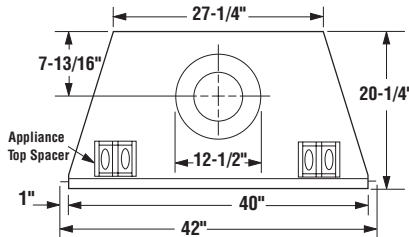
BC-36 Front View



BR-36 Front View



Right Side View

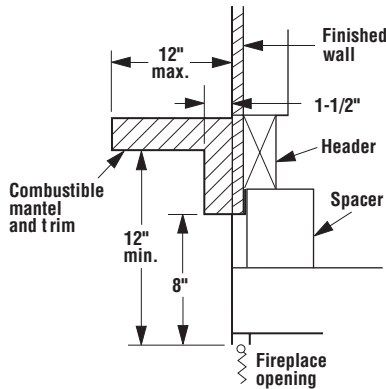


Top View

Fireplace Finishes

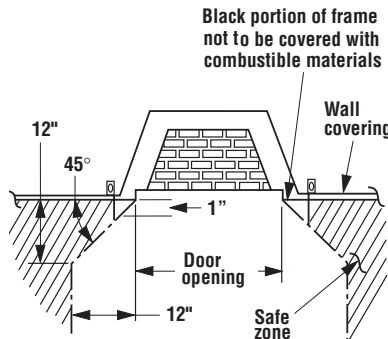
Mantels and Trim

These fireplaces may sit directly on a combustible surface. A 1" air space is required between combustible framing and the chimney. A 1" air space is required between combustible framing and the fireplace outer wrapper. Combustible mantels and trim may be installed 12" above the fireplace opening as per NFPA 211, Section 7-2.3.3. and Figure below. If a mantel is of a noncombustible material, it is exempt from these requirements as long as it does not interfere with the installation or operation of glass doors.

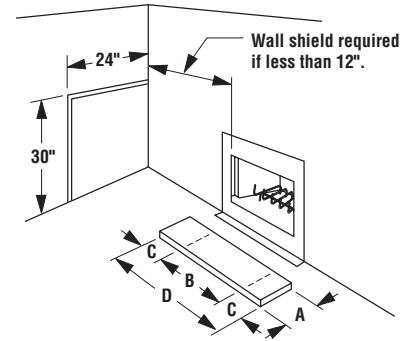
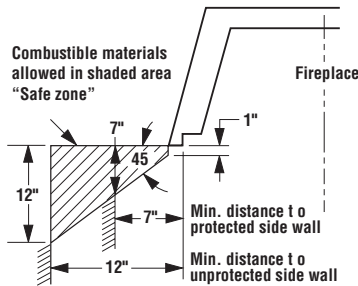


Mantel Limitation

*2" clearance to combustibles required in Canada.



Vertical Surround Limitations



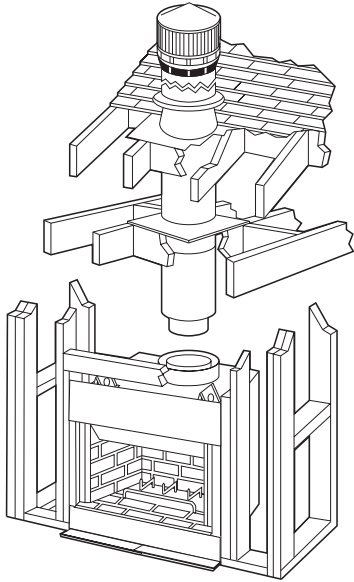
Hearth Extensions & Wall Shields

Hearth Extensions Dimensions

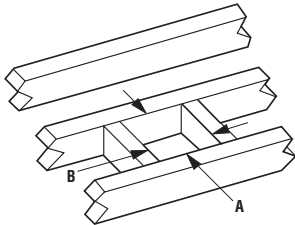
A	16"
B	36"
C	8"
D	52"

BC-36, BR-36

Framing Specifications



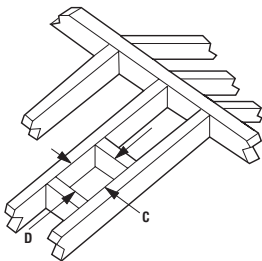
Typical Installation



Ceiling Framing

Framing Dimensions For Ceiling

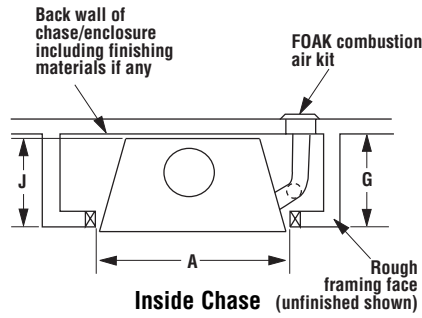
Flue Type	A	B
FTF8 Vertical	14 1/2"	14 1/2"
FTF8 Offset 30°	14 1/2"	25"



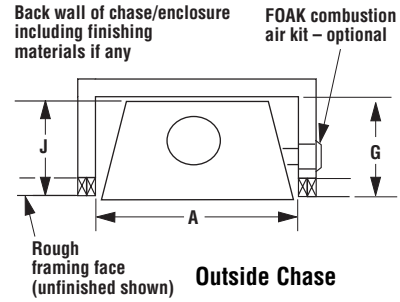
Roof Framing

Roof Framing Dimensions

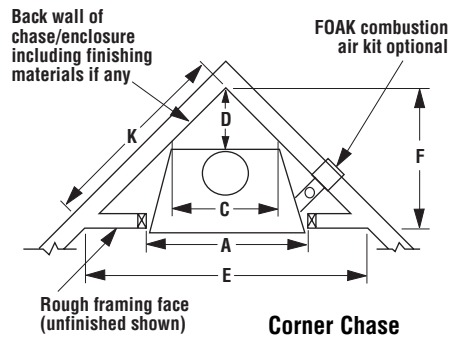
Pitch	C	D
0/12	14-1/2"	14-1/2"
6/12	14-1/2"	17"
12/12	14-1/2"	21-1/2"



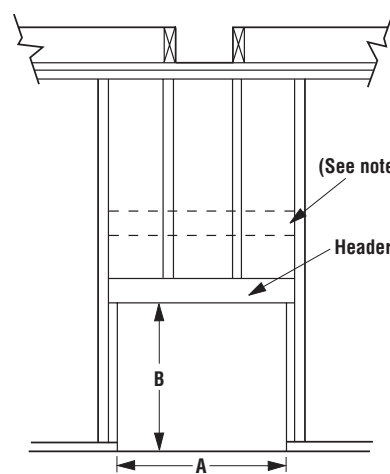
Inside Chase (unfinished shown)



Outside Chase



Corner Chase



Framing

Note: When framing with 6" studs header must be 17" higher (36 only). Use FTF8 OR15 offset/return elbow to recess the chimney back 2-1/2". Flat frame down to a false header. Maintain required clearance to chimney at all times.

Framing Dimensions

	A	B	C	D	E	F	G	J	K
36	41-1/4"	37-1/2"	28-3/4"	15-3/8"	70"	35"	20-5/8"	19-5/8"	49-1/2"

Note: All dimensions calculated for 1/2" dry wall at the appliance face. If sheathing the chase or finishing with other thickness materials, calculations will need to be made.