

DRC3500 SERIES

 DIRECT VENT GAS FIREPLACES


Our name is our promise.



CONTEMPORARY

The DRC3500 Series is transitional style and value at its finest. Suited with contemporary standard features like a ceramic glass face, porcelain liners, full function remote and crushed glass media, the DRC3500 Series also features outstanding heating capabilities. Sleek. Elegant. Powerful. The DRC3500 is the epitome of modern value.



FEATURED DRC3540 shown with Black Reflective Porcelain Liners and Black Crushed Glass Media

EXCLUSIVE FEATURES

- 🔥 Available in 35", 40" and 45" clean-faced models
- 🔥 Combo top/rear flue configuration for all models
- 🔥 Electronic ignition with seamless battery backup to provide continued operation in the event of a power outage
- 🔥 Outstanding heating efficiency for increased comfort and lower operating costs
- 🔥 Ceramic glass for optimum heat transfer and a protective screen*
- 🔥 Standard reflective black crushed glass media
- 🔥 Factory installed blower with six speed settings to fine tune your heating needs
- 🔥 Full four-piece black reflective porcelain liners
- 🔥 Durable textured powder coat finish
- 🔥 Mood enhancing interior illumination, with six distinctive settings
- 🔥 Multi-function touch remote control (thermostat, flame, blower, lighting, IPI/CPI)
- 🔥 20-year limited warranty

*All applicable models comply with ANSI Z21.50/88 barrier requirements.



FEATURED DRC3540 with Black Reflective Porcelain liners and Black Crushed Glass Media

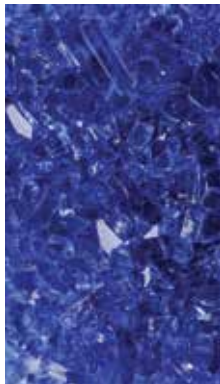
GLASS MEDIA OPTIONS

(Optional)

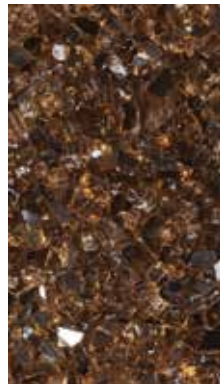
Choose from four crushed glass media options to complement your décor (Reflective Black standard).



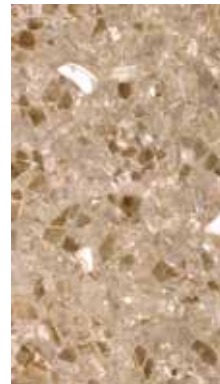
Reflective Black
(standard)



Reflective Blue



Copper



Goldfinger



Platinum

INTERIOR

(Standard)

Black Reflective Porcelain is the perfect backdrop for a sleek modern focal point.

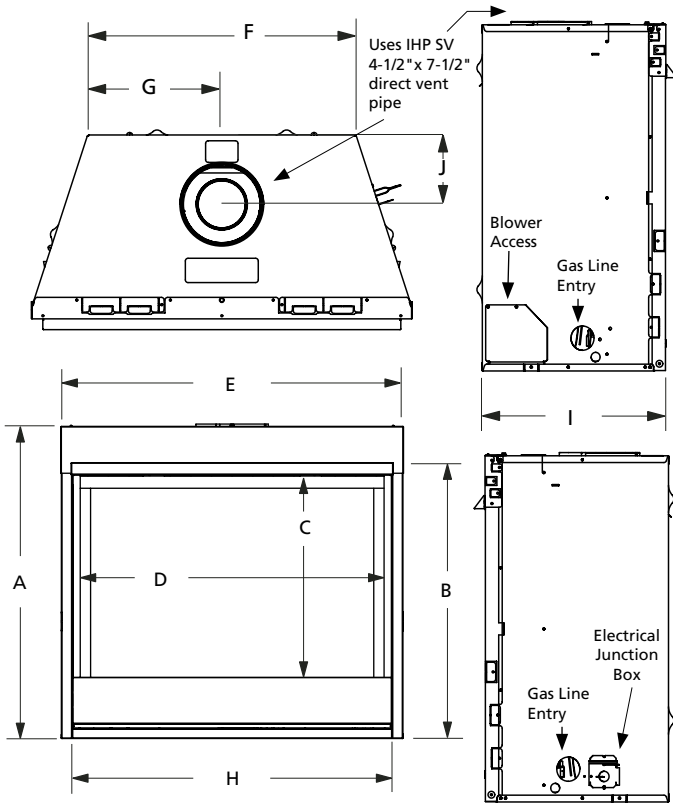


Black Reflective Porcelain Liner



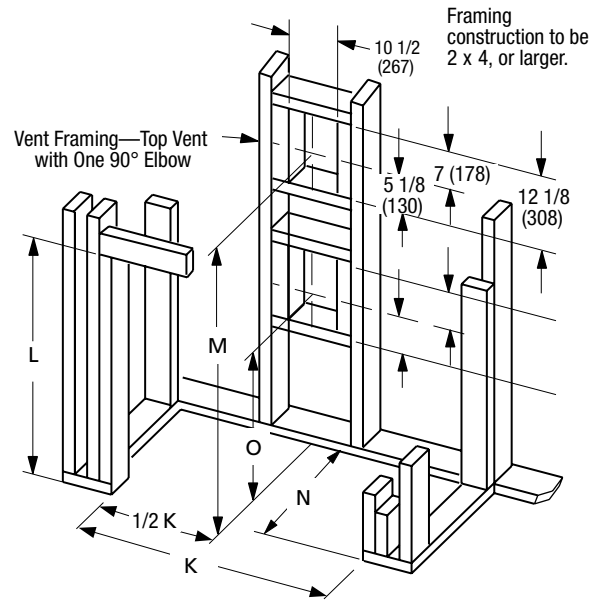
Included multi-function touch remote

APPLIANCE SPECIFICATIONS



	DRC3535	DRC3540	DRC3545
A	32-1/8"	37-1/8"	37-1/8"
B	28-3/4"	33-1/4"	33-1/4"
C	22-1/4"	27-1/4"	27-1/4"
D	32-3/8"	37-3/8"	42-3/8"
E	35-1/4"	40-1/4"	45-1/4"
F	25"	30"	35"
G	12-1/2"	15"	17-1/2"
H	32-7/8"	37-7/8"	42-7/8"
I	17"	17"	17"
J	6-7/8"	6-7/8"	6-7/8"

FLAT WALL FRAMING SPECIFICATIONS



	DRC3535	DRC3540	DRC3545
K	35-3/8"	40-3/8"	45-3/8"
L	36-1/4"*	41-1/4"*	41-1/4"*
M	38-3/4"	43-3/4"	43-3/4"
N	18"	18"	18"
O	23-3/8"	28-1/4"	28-1/4"

* Includes 4" for fold-up standoffs

FIREPLACE EFFICIENCIES

MODEL	FUEL	BTU/HR	AFUE**	P4 / ENERGUIDE*
DRC3535	NG	20,000	66%	64.0%
DRC3535	LP	19,000	66%	64.0%
DRC3540	NG	24,000	66%	64.0%
DRC3540	LP	22,000	66%	64.0%
DRC3545	NG	28,000	67%	65.0%
DRC3545	LP	26,000	67%	65.0%

*Intermittent ignition systems.

**Annual Fuel Utilization Efficiency (AFUE) is the recognized U.S. rating system for the total efficiency of heating products.

On the Cover: DRC3540 shown with Black Reflective Porcelain liner and Copper Crushed Glass Media

IMPORTANT NOTES:

As with any fireplace, this appliance is extremely hot during operation. Read and understand all operating instructions before using this appliance. For further information, consult your dealer.

Local conditions, such as elevation, wind, vent configuration and choice of fuel will affect overall appearance of the fire and heating performance. Performance can also vary with home design and insulation, climate, condition and type of fuel used, appliance location, burn rate, accessories chosen, chimney installation and how the appliance is operated.

Diagrams, illustrations and photographs are not to scale—consult installation instructions. Product designs, materials, dimensions, specifications, colors and prices are subject to change or discontinuance without notice.



© 2017 Innovative Hearth Products

785685M 10/17

Visit us online
SuperiorFireplaces.us.com

