

DRT4000 SERIES

 CUSTOM SERIES DIRECT VENT FIREPLACES

Superior[™]
FIREPLACES

Our name is our promise.

TRADITIONAL

The DRT4000 Series Direct Vent Gas Fireplace is a traditional design for a true masonry-built appearance. Offers an expansive ceramic-glass opening for an exceptional view of the tall, dancing flames. The DRT4000 Series provides endless possibilities for making your living area warm and inviting.



FEATURED DRT4036 shown with White Split Stacked brick and White Perimeter Trim Kit.

EXCLUSIVE FEATURES

- 🔥 Clean-face design features ceramic glass for optimum heat transfer and durability
- 🔥 Tall opening provides an exceptional view of the flame
- 🔥 Optional, easy to install brick perimeter trim hides the glass door frame to achieve a true masonry appearance
- 🔥 Interior panel selections consist of four ceramic brick options
- 🔥 Gas controls are located inside the bottom of the fireplace opening for easy installation, finishing and operation
- 🔥 Multi-level burner system produces tall, dancing flames
- 🔥 Energy saving electronic controls with seamless battery backup provide continued operation in the event of a power outage
- 🔥 Includes fully functioning remote control
- 🔥 20 year limited warranty



FEATURED DRT4000 SERIES and its impressive flame display.

INTERIOR LINER OPTIONS

(Required)

Choose from four, realistic ceramic brick fireplace liners that deliver the true look of masonry craftsmanship.



White Split Herringbone



White Split Stacked



Warm Red Split Herringbone



Warm Red Split Stacked

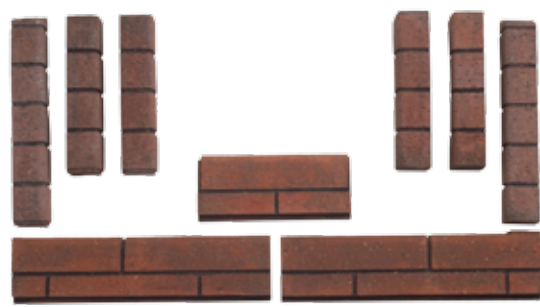
EXTERIOR OPTIONS

(Optional)

Choose a realistic ceramic brick Perimeter Trim Kit to add the finishing touch to your new fireplace.

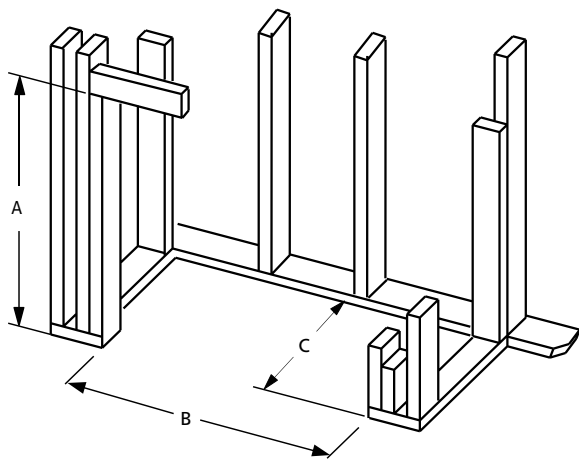


White Perimeter Trim Kit



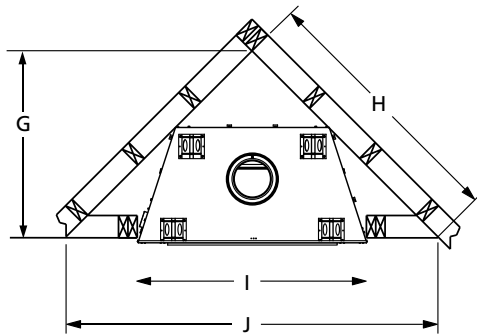
Warm Red Perimeter Trim Kit

FLAT WALL FRAMING SPECIFICATIONS



	DRT4036	DRT4042
A	44"	48"
B	41"	48"
C	22"	26"

CORNER FRAMING SPECIFICATIONS



	DRT4036	DRT4042
G	36-3/8"	43-3/8"
H	53-3/8"	61-3/4"
I	41"	48"
J	72-1/2"	86"

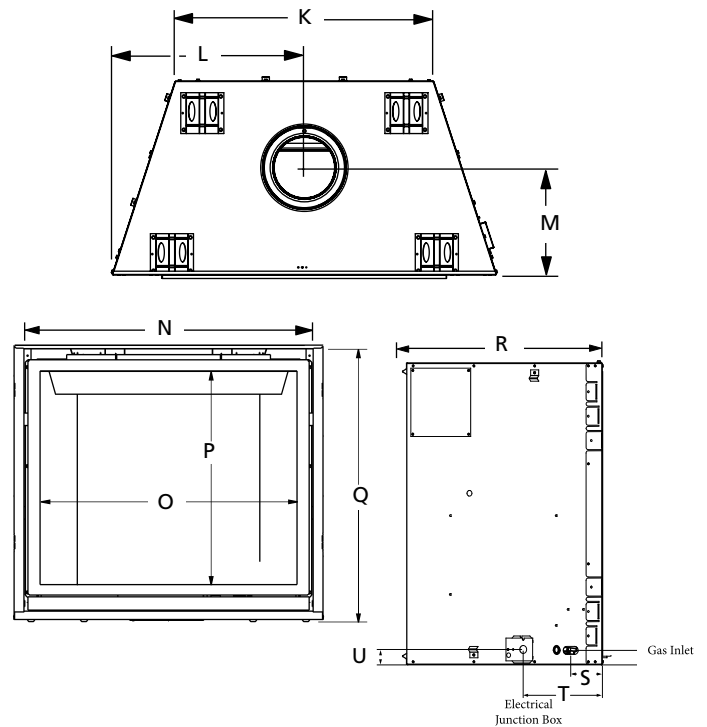
On the cover: DRT4036 shown with Traditional Warm Red Split Herringbone brick and Warm Red Perimeter Trim Kit.

IMPORTANT NOTES:

As with any heating appliance, fireplace or stove, this appliance is extremely hot during operation. Read and understand all operating instructions before using this appliance. For further information, consult your dealer. Local conditions, such as elevation, wind, vent configuration and choice of fuel will affect overall appearance of the fire and heating performance. Performance can also vary with home design and insulation, climate, condition and type of fuel used, appliance location, burn rate, accessories chosen, chimney installation and how the appliance is operated.

Diagrams, illustrations and photographs are not to scale—consult installation instructions. Product designs, materials, dimensions, specifications, colors and prices are subject to change or discontinuance without notice.

APPLIANCE SPECIFICATIONS



	DRT4036	DRT4042
K	29"	34-3/4"
L	20-5/8"	24-1/8"
M	11-7/8"	13-5/8"
N	41"	48"
O	35"	42"
P	31"	35"
Q	38-7/8"	42-7/8"
R	21"	25"
S	10-3/4"	11-1/2"
T	6-3/4"	6-3/4"
U	2-1/4"	2-1/4"

FIREPLACE EFFICIENCIES

MODEL	FUEL	BTU/HR	ENERGUIDE*
DRT4036	NG	33,000	35.5
DRT4036	LP	33,000	31
DRT4042	NG	41,000	42
DRT4042	LP	41,000	41

*Intermittent ignition systems



© Innovative Hearth Products 2014

785393M 01/14

Visit us online



www.SuperiorFireplaces.US.com

